

**A VARIETY OF OPTIONS TO FIT YOUR PACKAGING NEEDS**

**AN ECONOMICAL SOLUTION WITH ADVANCED TECHNOLOGY**

**Model FW-3410B Wrapper with Box Motion End Sealers**



**WET DUTY MODELS**

- Designed for wet duty environments
- Wrappers with stainless steel frames and all exterior panels include Models FW-3700, FW-3710, FW-3700B, FW-3710B, FW-3710BSB

**BOX MOTION MODELS**

- Box motion end sealers produce tight, quality seals
- Available for gas and modified atmosphere packaging
- Quick response computer controlled seal temperatures and high pressure sealers assure consistent seal quality
- Wrappers with box motion end sealers include Models FW-3400B, FW-3410B, FW-3700B, FW-3710B, and FW-3710BSB

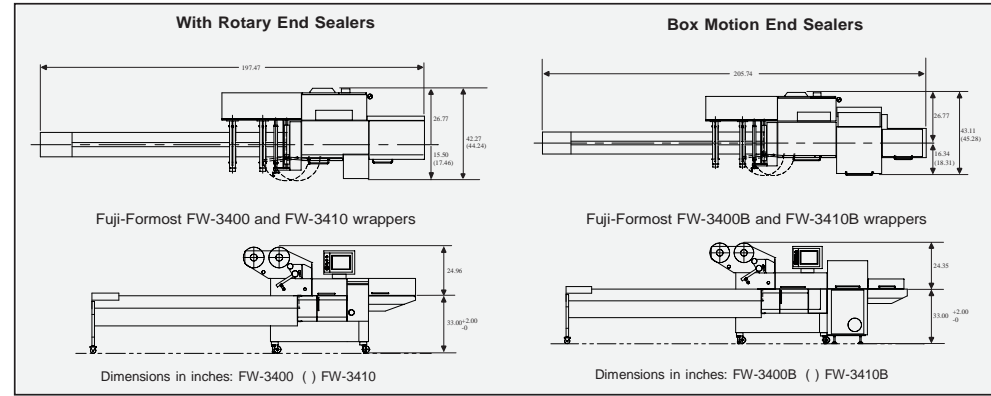
**Model FW-3710BS-B Top Seal Wrapper with Inverted Film Feed and Fin Seals on Top**



**TOP SEAL MODELS**

- Feature bottom film feeds for easy, positive transfer of products from the infeed conveyor to the film tube
- Wrappers with bottom film feeds include Models FW-3400BSB, FW-3410BSB, and FW-3710BSB

**ALPHA VII DIMENSIONAL DRAWINGS**



**MACHINE SPECIFICATIONS**

Machine Model	FW-3400/3700	FW3410/3710
Operating Speed*	10-450 packs/min	10-450 packs/min.
AC Infeed Drive Motor	365W	418W
Film Width	17.7" Max.	25.5" Max.
Film Cutoff Length*	1.5" - 17.5"	2.25" - 17.5"
Product	Width 7" Max.	11" Max.
Dimensions	Height 4" Max.	5" Max
Machine Weight	2095 lbs.	2315 lbs.

Machine Model	FW-3400B/3700B	FW3410B/3710B
Operating Speed*	10-180 packs/min	10-150 packs/min.
AC Infeed Drive Motor	365W	418W
Film Width	17.7" Max.	25.5" Max.
Film Cutoff Length*	1.5" - 17.5"	2.25" - 17.5"
Product	Width 7" Max.	11" Max.
Dimensions	Height 4" Max.	5" Max
Machine Weight	2425 lbs.	2645 lbs.

\*Dimensions and speeds shown are standard. With modifications, other dimensions and speeds are possible.

**FORMOST FUJI EXPERIENCE THE DIFFERENCE**

We take great pride in providing you with a thorough and enjoyable experience:

- Our dedicated sales team will listen to your needs and provide you with quality solutions.
- Our in-house design and engineering teams work side by side to design your wrapper with our high performance AND proven technology.
- Our in-house technicians and manufacturing team build your wrapper from start to finish to deliver you a product that will exceed your expectations. When your new ALPHA VII arrives on your site, our field technicians are available for installation, set-up, and training.



Phone: 425-483-9090 • Fax: 425-486-5656  
 • email: salesoffice@formostfuji.com

[www.formostfuji.com](http://www.formostfuji.com)



**FUJI-FORMOST**

**ALPHA VII**

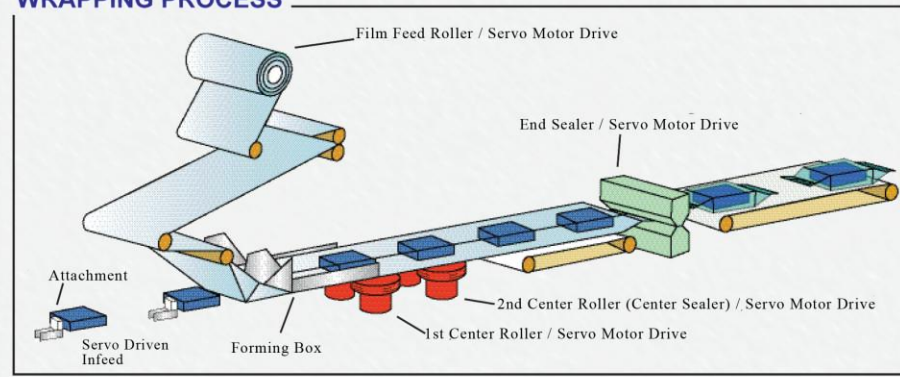
**ADVANCED TECHNOLOGY  
 SUPERIOR DESIGN**



**HIGH-SPEED  
 HORIZONTAL  
 FORM-FILL-SEAL  
 SERVO WRAPPERS**

[www.formostfuji.com](http://www.formostfuji.com)

## WRAPPING PROCESS



## STRONG, ROBUST DESIGN

- **5 Axis Servo Motor:** Film drive, infeed drive, 1st and 2nd fin seal, end seal
- **Servo Drive Infeed:** Offers greater flexibility
- **Beltless Drive:** Servos are all shaft mounted gear heads
- **Film Run Out:** Non contact fiber optic sensor replaces limit switch
- **Vision System:** For film splice detection, print detection, film tracking (web edge detection)
- **Expanded Film Web Capacity:** Up to 17.7" standard width wrapper; 25.5" wide model wrapper
- **Sanitary Design:** Improvements to infeed conveyor
- **Transfer Belt Material:** A high tear strength and heat resistant silicon for improved sanitary design
- **Windows XP Operating System:** With 12.4" monitor and panel computer with USB port
- **Display Screen:** Customizable to match your needs
- **Temperature Stabilization System:** Teachable to maintain temperature variation within 1 degree celsius
- **Security Level Access:** With log in record of operation and data changes
- **Energy Saving:** Through many features, including heat pipes, sophisticated temperature controls, and induction heating end sealers.

## STANDARD FEATURES

- **Low Maintenance Design**  
The new direct drive servo motors reduce wear parts and eliminate maintenance and noise from timing belts.
- **Color LCD Display**  
The LCD display uses pictures, words, and illustrations for simplicity and ease of use.
- **Consistent, Attractive Repeatable Wrapping**  
The programmed software controls temperature to match wrapping speed for optimum sealing capability.
- **Standard USB for Data Entry**  
The USB port allows for upload of product data and pictures quick easy set up and customization.
- **On-Screen Instruction Manual**  
The entire instruction manual is in the PC and available to the operator or maintenance staff through the Windows based HMI.
- **On-Screen Interactive Troubleshooting Guide**  
The flow chart style troubleshooting guide allows for rapid diagnosis of problem faults.
- **Preventative Maintenance Scheduler**  
Through the programmable maintenance schedule alerts can be set for cleaning, checking conditions, proper lubrication and routine maintenance. The on screen warnings ensure notification of maintenance needs are known.
- **Fuji Formost Exclusive IH Heaters**  
Induction Heating used in the fin seals provides superior heat stability with less energy usage, and heat only where needed, not throughout the shafts and bearings.
- **Programmable Security Levels**  
Control access to the levels of the program that are necessary to each operator or maintenance individual. Also track and trace log-in entry is recorded for future reference.
- **Adjustable forming box**  
Run a variety of sizes without the necessity to change the film former.
- **Heat Pipe End Seal Technology**  
Fuji's exclusive use of heat pipes reduce energy usage, and make better, more uniform end seals.

## OPTIONAL FEATURES

- **Automation, Integration**  
Line integration with auto feed systems. Robotic integration, cartoning machines or case packers can be easily achieved with the high performance user friendly sequencer.
- **Packless Function**  
When no product is present, no package is made.
- **Cutless Function**  
When product is sensed out of time at the end sealers, the sealers are stopped in the open position and remain open until the product is clear and no jams occur.
- **Attachless Infeed**  
Servo driven belt conveyor infeed system. Product position is sensed and timed to the wrapper end seal. Wrapper operates on demand saving film. Ideal for fragile, sticky or difficult to package products. Provides quick, easy changeover.
- **Longer Shelf Life**  
Modified Atmosphere Packaging for extended shelf life.
- **Automatic Film Splicer**  
Designed for registered printed film. When one of the film rolls runs out, the films are spliced automatically. The system registers the location of the splice for reject.
- **Vision System**  
Can be upgraded for bar code and print verification.
- **B14 Box Motion**  
Improved design utilizing slideshaft and ball bearing construction. this simple construction lowers noise, reduces parts, and improves changeover time.
- **Swing Rotary - High Speed**  
Long dwell dual axis rotary end sealer. Increased sealing time for high speed applications.
- **Special Applications**  
The wrappers can be custom configured for special applications. Special width and height capabilities are available.



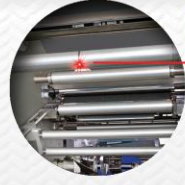
Fuji Vision System



Transfer Belt Assembly



Windows Based HMI



Non-Contact Film Run Out Sensor



Energy Saving



Easy Cleaning and Access

- New Fuji Vision System inspects film tracking, film joints, as well as print and label confirmation to ensure that no faulty packages are made.
- Cantilevered frame makes access for cleaning and sanitation fast and easy.
- Hygienic stainless steel covers.
- Easy threading, open top, adjustable forming box is calibrated for secure, repeatable settings and fast changeovers.
- Individually adjustable film spindles for web alignment
- Tilting fin sealers provide enhanced film control for tighter packages.
- Control system provides on-line production information easily networked with plant information systems.

## ALPHA VII FW-3400

With Box Motion

