

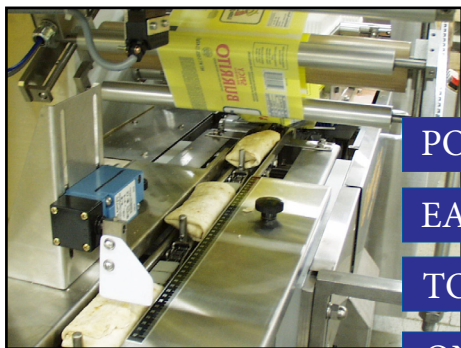
FORMOST FUJI

FUJI-FORMOST FW-3700 WRAPPER

Quality is "First and Formost"



ALPHA VII MODEL FW-3700
HORIZONTAL WRAPPER



- POSITIVE PRODUCT CONTROL
- EASY ACCESS FOR CLEANING
- TOUCH SCREEN CONTROL
- ON-LINE PRODUCTION INFO
- PROVEN PERFORMANCE
- MODEL FW-3710B FOR MULTI-PACK

IDEAL FOR WRAPPING BURRITOS

Advanced high performance wrapping and quick, easy changeovers are among the many advantages of the Fuji-Formost FW-3700 form-fill-seal servo wrapper. It can be configured for hand-fed operation or equipped with an automatic product indexing system.

Built for high performance, outstanding flexibility and dependability, the Fuji-Formost Wrapper is a productivity leader in any burrito packaging operation.

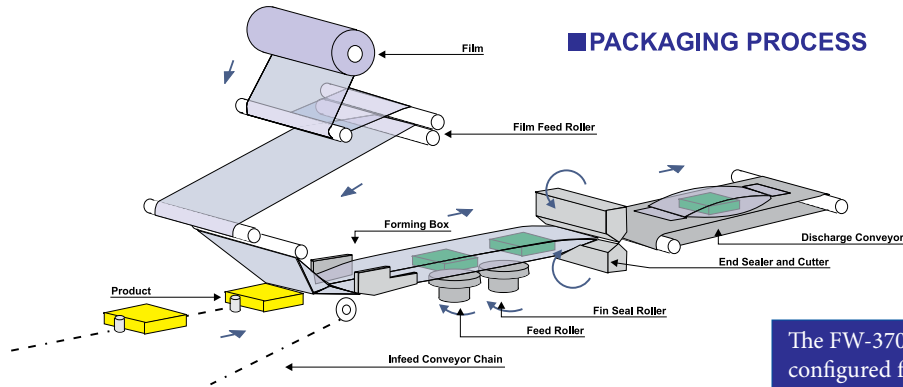
Formost Fuji Corporation

19211 144th Avenue NE • Woodinville, WA 98072

Phone: 425-483-9090 • Fax: 425-486-5656 • email: salesoffice@formostfuji.com

www.formostfuji.com

APPLICATION: BURRITO WRAPPING



The FW-3700 Wrapper can be configured for hand-fed operation or equipped with an automatic indexing system.

Optional Features

Packless function

When no product is present, no package is made.

Automation, Integration

Automated feed systems and full line integration capabilities.

Preheaters

Web and fin seal preheaters help maintain production speeds utilizing heavy or difficult to seal films, or compensate for hostile environments.

Cutless Function

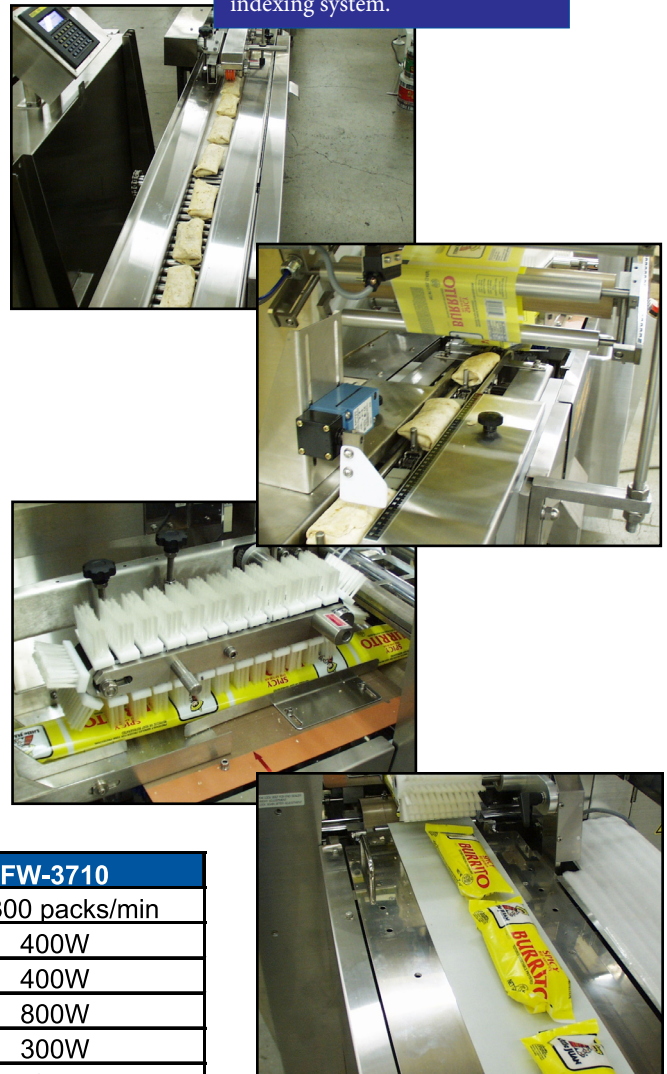
When product is sensed out of time at the end sealers, the sealers are stopped in the open position and remain open until the product is clear and no jam occurs.

Random Cut

Saves packaging material by automatic adjustment of package length according to product length.

Gas Flush

Modified Atmosphere Packaging for extended shelf life.



Machine Model		FW-3700	FW-3710
Operating Speed*		10-450 packs/min	10-300 packs/min
AC Servo-motors	Film Feed	400W	400W
	Fin Sealers	400W	400W
	End Sealers	800W	800W
AC Infeed Drive Motor		300W	300W
Film Width		16 3/4" Max.	23 1/2" Max.
Film Cutoff Length*		1 1/2" - 17 1/2"	2 1/4" - 17 1/2"
Product Dimensions	Width	7" Max.	11" Max.
	Height	4" Max.	5" Max.
Machine Weight		1875 lbs.	1985 lbs.

* Higher speeds and cutoff are available for specific applications.

Formost Fuji Corporation

19211 144th Avenue NE • Woodinville, WA 98072

Phone: 425-483-9090 • Fax: 425-486-5656 • email: salesoffice@formostfuji.com

